

Hour meter

HK 46



Highlights

- price competitive meter
- excellent quality
- long lifetime
- different bezels for different cut-outs
- many mounting versions
- all necessary approvals
- your branding available

Applications

- gen-sets
- compressors
- pumps
- medical equipment
- control panels
- air conditioning

Mechanical data

Front dimension: 48 x 48 mm

Display AC: 5 integers, 2 decimals
DC: 6 integers, 1 decimal
AC indicator, without reset

Digit height 4 mm

Digit color integer: white on black
decimal: 50 Hz – red on black
60 Hz – red on white

Counting range AC: 99999,99 h, DC: 999999,9 h

Reading accuracy AC: 1/100 h (36 sec)
DC: 1/10 h (6 min)

Weight ca. 50 g

Housing color standard black

Bezels 52x52
55x55
72x72 and Ø80 mm

Mounting options A - aluminum clamp
C - anti-vibration boot & clamp
D - DIN rail
F - snap fastener
G - retainer

Electrical data

Operating voltage 24, 48, 60, 110, 120, 220, 230, 240,
400 VAC ± 10%, 50 or 60 Hz

6-30, 10-80, 110, 220 VDC ± 10%

Current consumption AC: max. 8 mA
DC: max. 9 mA

Accuracy AC: ± 0,02 %
DC: ± 0,002 %

Connection flat pin 6,3x0,8 with screw
flat pin 6,3x0,8
screw terminal

Ambient conditions

Operating temperature AC: -25° C .. +80° C
DC: -20° C .. +70° C

Storage temperature AC: -40° C .. +80° C
DC: -20° C .. +70° C

Relative humidity max. 80% at +25° C

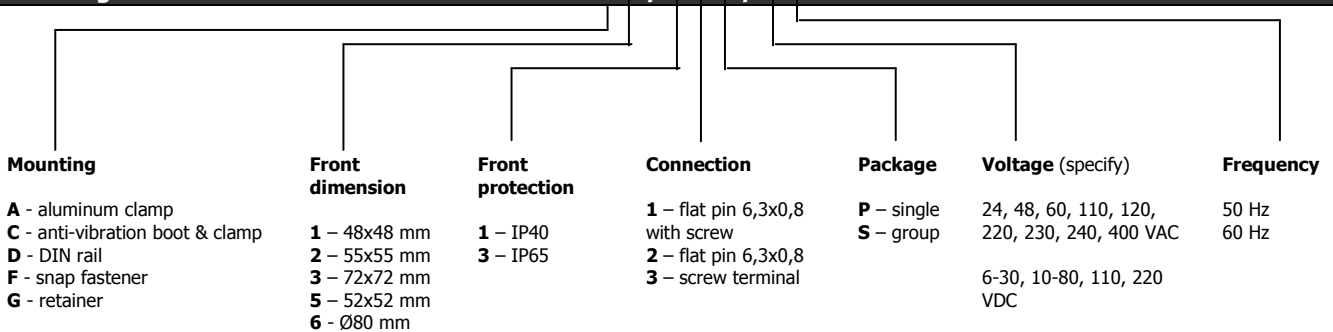
Protection IP40 front
IP65 front (on request)
IP20 terminals

Approvals CE Mark
UL E171200

RoHS compliant

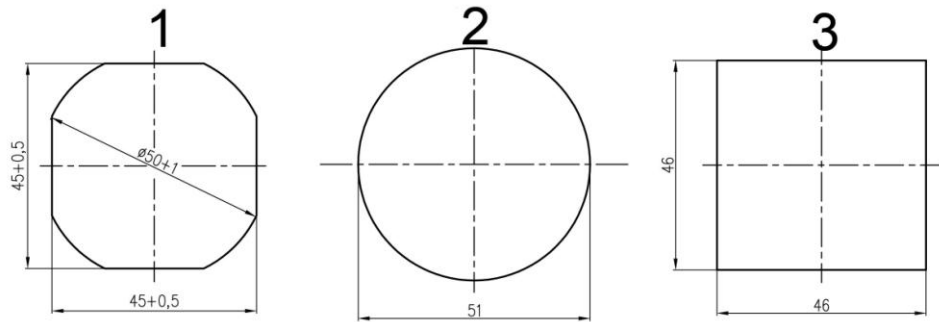
Ordering

HK 46 . xx / xxx / xx

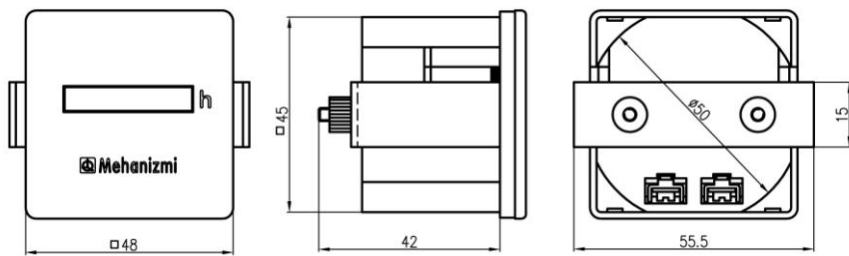


Hour meter

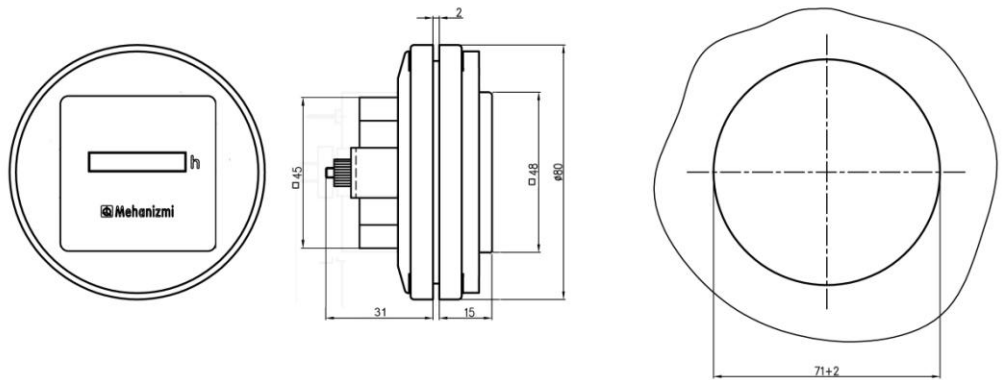
HK 46 Panel cut-outs



Cut-out #1: for meters with front dimensions 48x48 mm (without bezel)
 Cut-out #1,#2,#3: for meters with square 52, 55 and 72 mm bezels

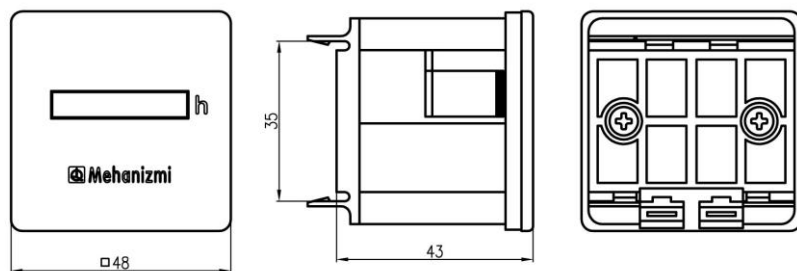


HK 46 – mounting A



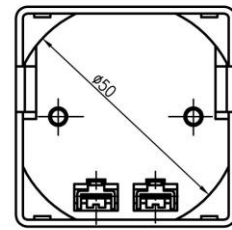
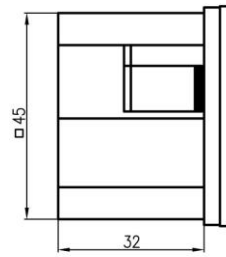
panel cut-out

HK 46 – mounting C

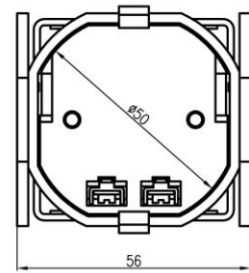
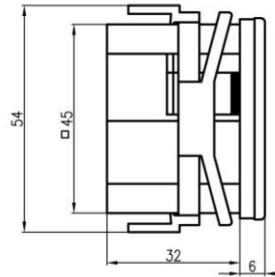
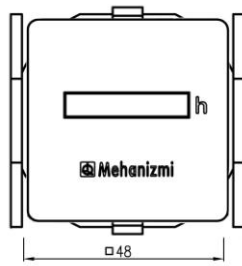


HK 46 – mounting D

Hour meter



HK 46 – mounting F



HK 46 – mounting G
