

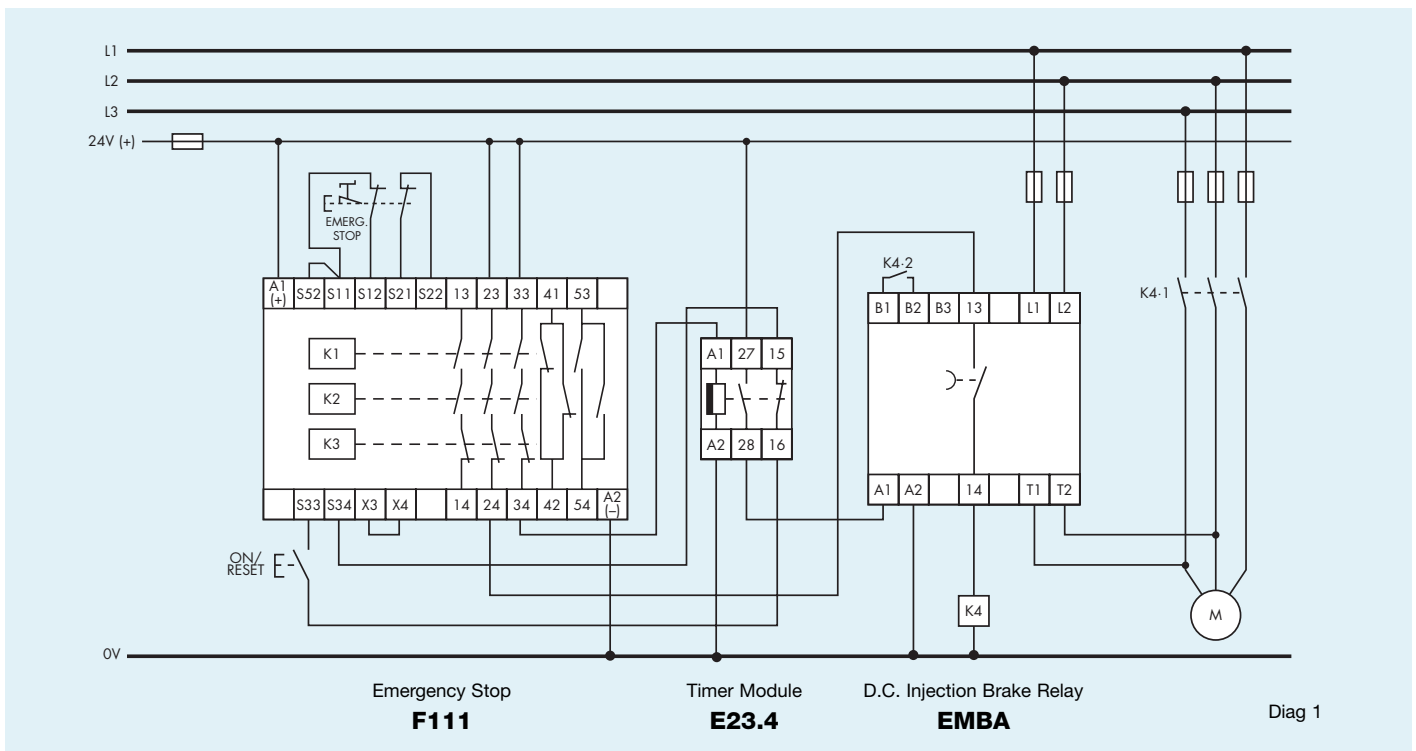
FEATURES

- Positive guided contacts
- Variable time delay
- Auxiliary supply AC or DC
- NB See also F118/F138/F128



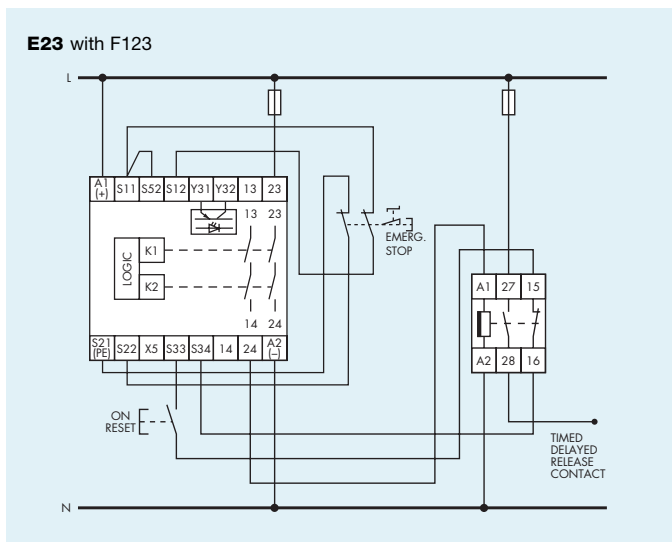
Model E23

TYPICAL SCHEMATIC DIAGRAM



Diag 1

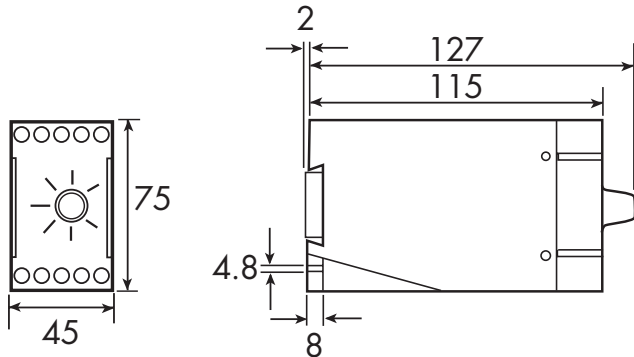
CIRCUIT CONNECTIONS



DESCRIPTION

Delayed Release Timer Module Type E23 may be used in conjunction with Emergency Stop relays in situations where delayed shutdown of certain functions such as electrical braking is essential for safety reasons. The unit is housed in a DIN rail enclosure and is fitted with positive guided contacts.

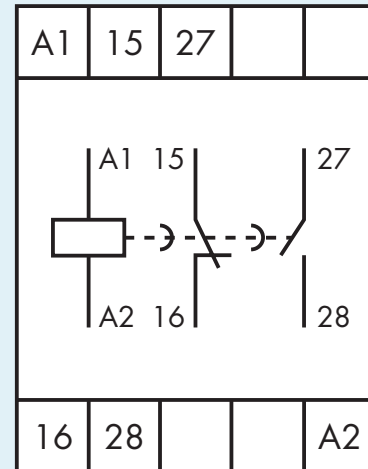
DIMENSIONS



Weight 0.12Kg

TERMINAL LAYOUT

E23



SPECIFICATIONS

Nominal Voltage	24, 115, 230V ac or 24V dc
Voltage tolerance	0.8-1.1Vn
Time Ranges	0.3 ...3secs 0.3 ...10secs 0.3 ...30secs
Setting	variable (fixed optional)
Setting Accuracy	±10% set value
Minimum ON time	300ms
Contacts	1 N/O, 1 N/C
Max. Switching Voltage	250v ac, 250V dc
Min. Switching Voltage and current	10V, 10mA ac/dc
Max Contact Rating	6A
Max. Switching Load	1200VA
Operating Temperature	-10°C...+55°C
Protection Class	Case IP40 Terminals IP20
Shock Loading	Amplitude 3.5mm frequency 10 – 55Hz (5g @ 50Hz)
Enclosure Material	Thermoplastic Vo Rating UL94
Terminations	4mm ² (solid) 2.5mm ² (stranded)

PART NUMBERS

DESCRIPTION	VOLTAGE	ARTICLE NO	MODEL
0.3-3sec	230V ac	05000097	E23.4x101
	115V ac	05002366	E23.4x111
	24V ac	05002369	E23.4x121
	24V dc	05002372	E23.4x131
0.3-10sec	230V ac	05000098	E23.4x102
	115V ac	05002367	E23.4x112
	24V ac	05002370	E23.4x122
	24V dc	05002373	E23.4x132
0.3-30sec	230V ac	05000099	E23.4x103
	115V ac	05002368	E23.4x113
	24V ac	05002371	E23.4x123
	24V dc	05002374	E23.4x133

Information Required With Order

- Model type • Auxiliary supply • Article number

Example: Emergency Stop delayed release timer module Type E23.4x103 Setting range 0.3 ... 30s. Auxiliary supply 230V ac, Article No. 05002374

DATA SHEET RI13095