

RI-SCTEWA

Standard Current Transformer to **easywire**® System Adaptor

- Connect up to 3 standard or split core CT's (1A or 5A secondaries)
- Integrated protection circuitry



Product Description

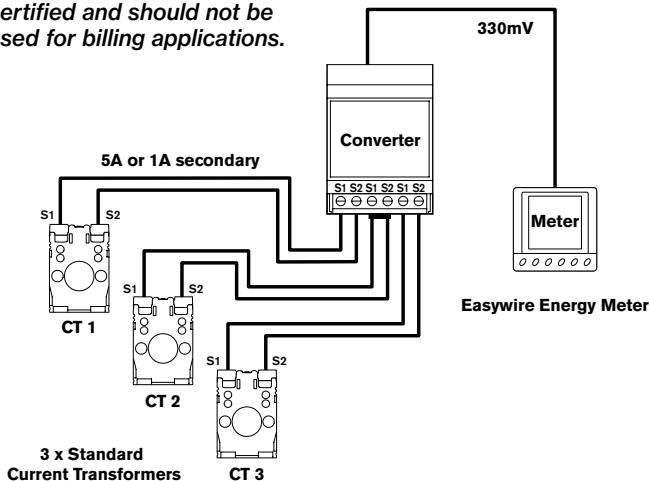
The **RI-SCTEWA** converter allows for the connection of up to three standard current transformers, or standard split-core current transformers (with 1A or 5A secondary's), to the Rayleigh Instruments **easywire**® system.

The unit has integrated protection circuitry allowing for disconnection from meter under load conditions for maintenance.

Important Notes

This converter does not provide electrical isolation. Current transformer secondaries may not be earthed and should be wired as shown.

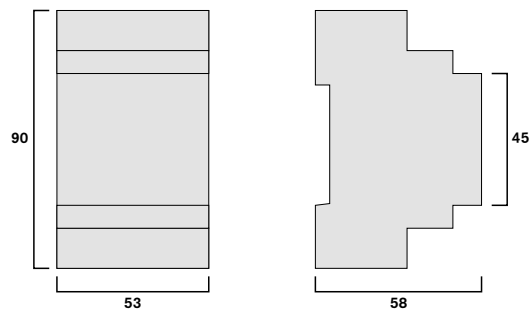
This converter is not MID certified and should not be used for billing applications.

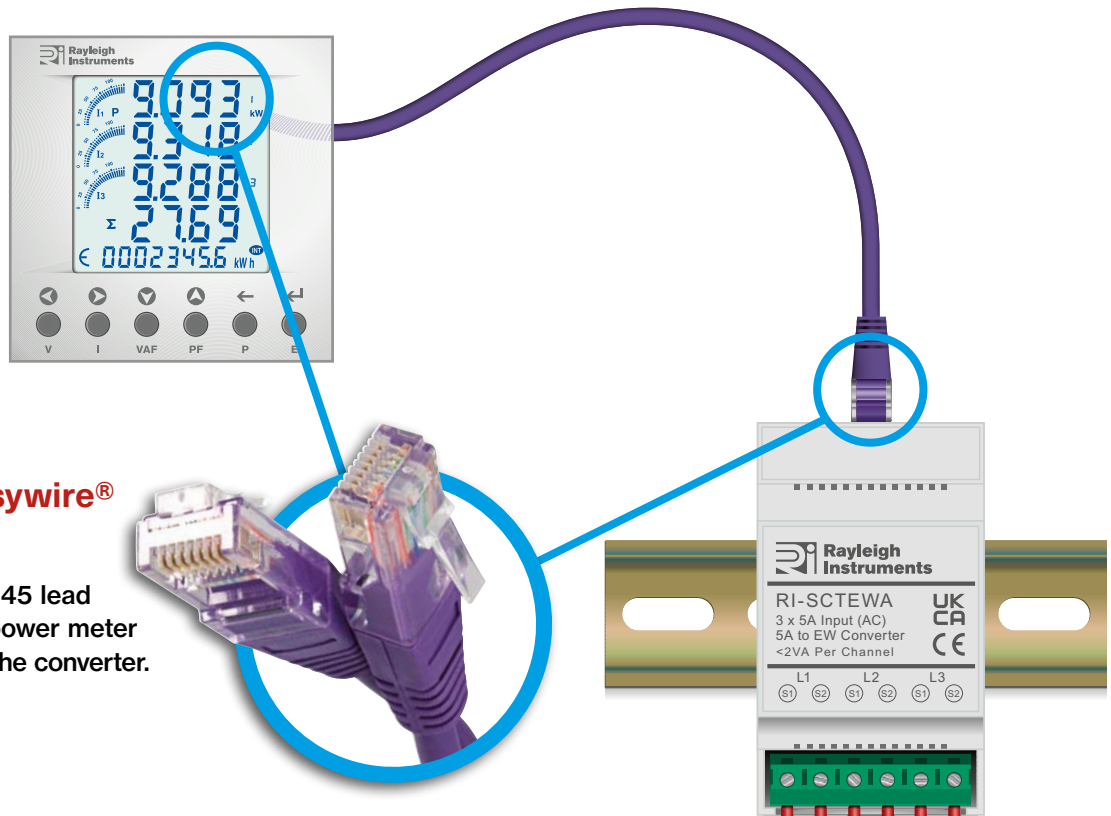


Technical Specification

Burden	2VA per channel (5A Version) <0.5VA per channel (1A Version)
Accuracy	0.4%
Suggested Cable Size	1.5...2.5mm ² (2.5mm ² Max. - CT to Adaptor)
Mounting	DIN rail 35mm
Termination	CT to adaptor - Rising clamp screw terminals Adaptor to Meter - RJ45 Patch Cable
Operating Temperature	-10°C...+45°C
Storage Temperature	-25°C...+70°C

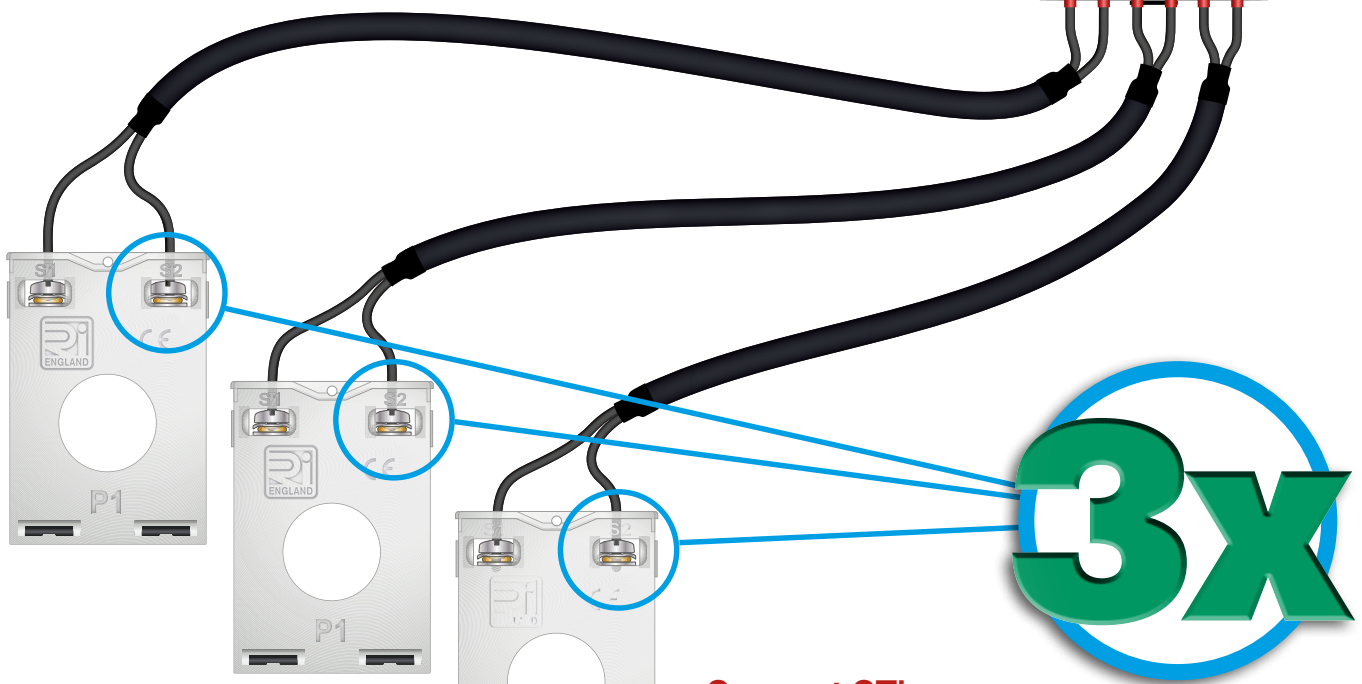
Dimensions (mm)





Connect your easywire® power meter...

Plug one end of the RJ45 lead into the multifunction power meter and the other end into the converter.



Connect CT's...

Connect 3x Standard current transformers with either 5A or 1A secondaries

Model Selection Table

Variants	Model
-/5A Secondary (standard)	RI-SCTEWA 5A
-/1A Secondary (available on request)	RI-SCTEWA 1A