

RI-EX16-LITE

Communication Gateway - 16 Device Modbus - Ethernet



- Compact size - 2 module (35mm width) DIN Rail mounting
- RS485 Modbus RTU TCP master
- Connect up to 16 x Modbus devices
- 10/100Mbps Ethernet connection
- 230V Auxiliary Supply
- USB-C port for device configuration, diagnostics and firmware update
- DHCP or Static IP address
- 1MB Built-in flash memory (8Mbit) for settings and data storage

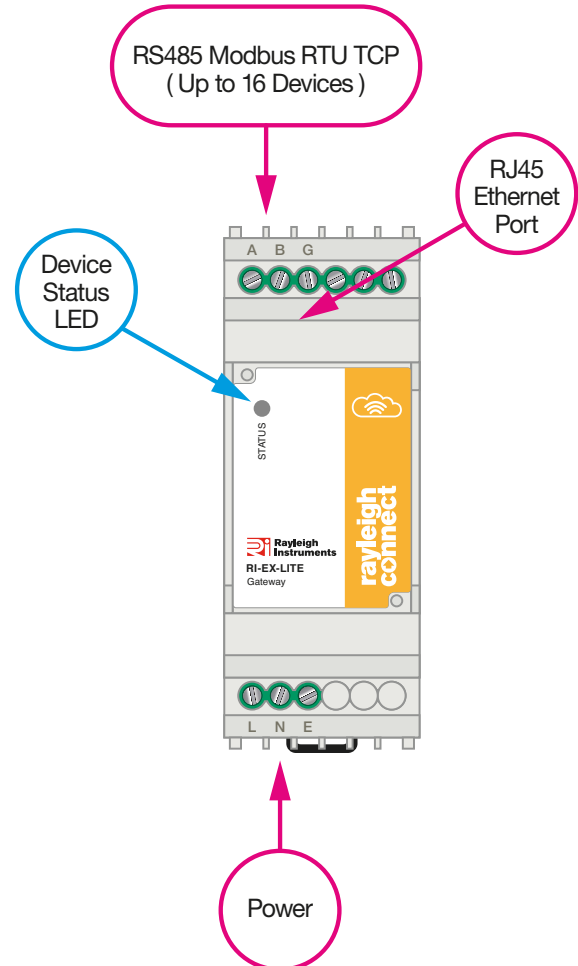
Product Description

The RI-EX16-LITE is a robust and easy to use DIN rail mounted data acquisition communication gateway.

The RI-EX16-LITE is part of a growing family of gateway devices designed to be used with the **rayleighconnect™** cloud based software platform.

The EX16-LITE supports up to 16 devices connected via Modbus RTU (over RS485 port) and/or Modbus TCP (over RJ45 Ethernet port).

The data from all devices is transmitted to the **rayleighconnect™** cloud software platform via the built-in RJ45 Ethernet port to your router. If Modbus TCP devices are required to be connected via the RJ45 Ethernet port then a separate network switch is required.



Display

Display Type	1 x LEDs
LED indicators	STATUS LED GREEN - flashing = Connected to the cloud system YELLOW - flashing = Not connected to the cloud system Green/YELLOW - fast flashing = Started/restarted within last 10 seconds RED = Used only in recovery mode

Connection

Ethernet	10/100Mbps (10 Base T/100 Base TX)
IP address	DHCP or Static
Modbus (RTU)	RS485
Modbus (TCP)	RJ45

Auxiliary Supply

Voltage range	230V (±10%)
Operating frequency	47...50...63Hz
Power consumption	<18VA

Outputs

Communication type	RS485
Communication protocol	Modbus
Number of bits	7bits or 8bits
Stop bits	1bits or 2bits
Parity	None, odd, even
Baud rate	2400, 4800, 9600 (default), 19200, 38400, 57600, 115200
Number of Modbus devices connected on the bus	Up to 16
Max. distance from Slave device	1200M (longer with booster)

Insulation

Installation category	III
Pollution degree	2
Insulation voltage rating	300V L-N

Environmental Conditions

Reference temperature	23°C
Specified temperature operating range	-10°C...+55°C
Storage temperature	-20°C...+70°C
Relative humidity	0...85%, non condensing

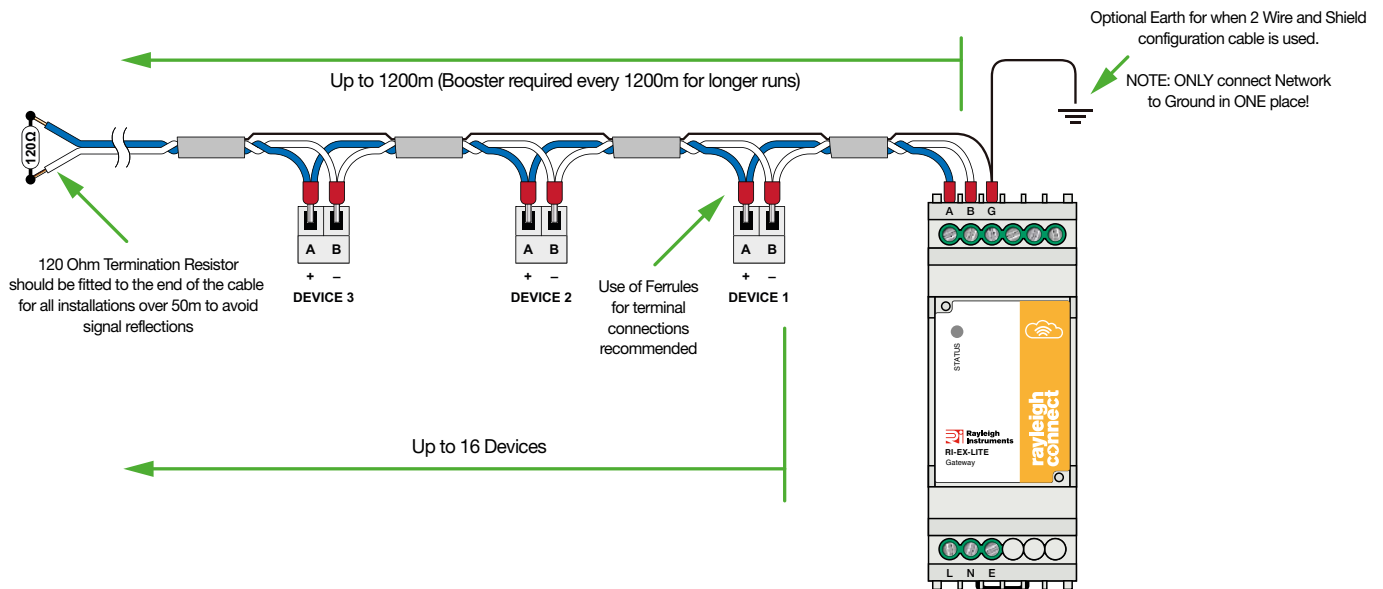
Mechanical

Housing	2 module DIN 43880
Mounting	Snap-on 35mm DIN rail
Housing material	Self-extinguishing polycarbonate (UL94 V-0)
Weight	<116g

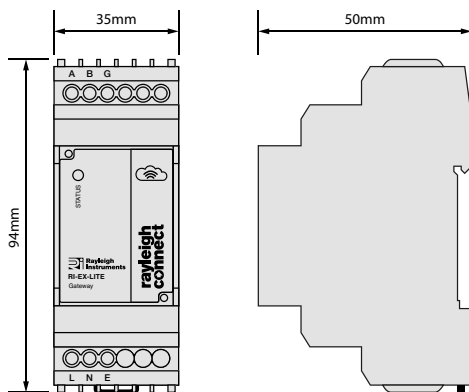
Conformity

Electromagnetic compatibility	IEC/EN55032, IEC/EN55016-2-3 Class B, IEC/EN61000-4-2, IEC/EN61000-4-3, IEC/EN61000-4-4, IEC/EN61000-4-5, IEC/EN61000-4-6, IEC/EN61000-4-11
Safety	IEC/EN61010

Wiring Diagram



Dimensions (mm)



Model Selection Table

Communications	Model
Connect up to 16 Modbus RTU devices	RI-EX16-LITE