

## RI-D360 Series



### Split Load Three Phase **easywire**<sup>®</sup> Multifunction DIN Rail Energy Meter (MID Certified)

- Four module DIN rail mounted
- Energy pulse LED / High definition white backlit LCD display
- 2 x Inputs from **easywire**<sup>®</sup> Current Transformers
- Three phase network compatible
- Independently programmable CT ratios (Load 1 and Load 2)
- Programmable voltage transformer ratio
- True RMS measurement
- MID B+D Certified
- Simple programming & operation / auto or manual page scrolling
- 2 x Pulse outputs and Modbus communication
- Voltage OUT connector for daisy-chaining up to 32 meters from one supply

### Product Description

The RI-D360 series is part of the **easywire**<sup>®</sup> family of meters, designed to save up to 90% installation time compared to a standard meter and current transformer installation.

The meters contain two 3 Phase metering circuits in one case, and accept inputs from two separate **easywire**<sup>®</sup> 3 Phase current transformers while still utilizing the same voltage reference.

This MID approved, 4 module DIN rail mounted multifunction energy meter, is suitable for monitoring energy consumption and other electrical parameters in industrial and commercial applications. This series is particularly suited for use in split-load lighting and power boards, in three phase applications, and have been certified for billing purposes.

A high efficiency white backlit LCD display provides a clear indication of measured values in all light conditions. Front push-buttons allow user access to the display page required.

The meter is available in one version:-

- With two pulse outputs and RS485 Modbus communication.

### Displayed Parameters

**Voltage - L-L, L-N and average**

**Current - Per phase and average (LOAD 1 and LOAD 2)**

**Power Factor - per phase and average**

**Frequency**

**Power - Active, Reactive and Apparent (per phase and total)**

**Power Max. demand - Active and apparent power.**

**Energy - Active, reactive and apparent (per load and total)**



## Display

Display Type	LCD, high definition with white back-light	
Digit height	6.35mm (displayed parameter)	
Page scrolling	Manual by front key / or auto scroll mode	
Displayed parameters and accuracies	Voltage	0.5% of full scale
	Current	0.5% of full scale
	Frequency	0.1% of full scale (L-N >20V)
	Power factor	1% of unity
	Active power	1%
	Reactive power	1%
	Apparent power	1%
	Active Energy	Class 1, Class B (IEC/EN62053-21, IEC/EN50470)
	Reactive Energy	Class 2 (IEC/EN62053-23)
Energy maximum display	9999999	
Resolution	0.01K, 0.1K, 1K, 0.01M, 0.1M (depending on CT ratio & VT ratio)	

## Programming

Parameters that can be changed using programming menu	<b>CT Primary current</b> <b>VT primary voltage</b> <b>VT secondary voltage</b> Communication address Communication speed (Baud) Communication Parity Communication number of stop bits Back-light time-out period Demand period (for integration) Pulse duration Pulse output (kWh) <b>Reset to Factory Default</b> <b>Reset Energy and Maximum Demand</b> <b>Reset Active Energy</b> <b>Reset Reactive Energy</b> <b>Reset Apparent Energy</b> Reset Maximum Current Reset Maximum Active Power Reset Minimum Active Power Reset Maximum Reactive Power Reset Minimum Reactive Power Reset Maximum Apparent Power
<i><b>NOTE: Once Programming Mode Is entered The values in red will be locked out after 15 Mins. No further adjustment is possible without return to factory.</b></i>	
Programming access	Password protected (user selectable)
Memory retention	Non volatile memory

## Input

Connection	Three phase four wire
Input voltage range	3 x 100...240V (L - N), 3 x 173...415V (L - L)
Voltage Rated Burden	<8VA
Nominal current input	2 x <b>easywire</b> <sup>®</sup> - 1A (330mV)
Max current (Imax)	<b>easywire</b> <sup>®</sup> - 1.2A (396mV)
Current Rated Burden	N/A - <b>easywire</b> <sup>®</sup> input
Starting current	2mA (0.66mV)
Short time overcurrent	30 x Imax to IEC/EN62053-21 + 23
Impulse voltage withstand	6kV 1.2/50µS 0.5J
AC voltage withstand	4kV 50Hz for 1 min
CT primary current	5...6000A
VT primary voltage	100...600V
Frequency	50Hz
Current distortion factor	According to IEC/EN50470

## Auxiliary Supply

Voltage range	Self supplied from measuring input
Operating frequency	See input section
Power consumption	See input section

## Outputs

<b>Energy pulses</b>	
Number of pulse outputs	2
Pulse output function	kWh
Pulse output type	1
Pulse output Max. current	100mA
Pulse output voltage range	5...27VDC
Pulse duration	50 / 100 / 150 / 200 / 250 / 300ms
Pulse resolution	0.01K, 0.1K, 1K, 0.01M, 0.1M (depending on CT ratio & VT ratio)
<b>Communication - Modbus Version</b>	
Communication type	RS485
Communication protocol	Modbus
Address	1...255
Number of bits	8bits
Parity	None, odd, even
Baud rate	300, 600, 1200, 2400, 4800, 9600, 19200
Required response time to request	≤100ms
Number of meters connected on the bus	32 (up to 255 with RS485 repeater)
Max distance from Master device	500M

## Insulation

Installation category	III
Pollution degree	2
Insulation voltage rating	300V (L-N)

## Environmental Conditions

Reference temperature	23°C ±2°C
Specified temperature operating range	-10°C...+55°C
Storage temperature	-20°C...+75°C
Relative humidity	0...85%, non condensing
Mechanical environment	M1
Electromagnetic environment	E2

## Mechanical

<b>Housing</b>	
Housing	4 module DIN 43880
Mounting	Snap-on 35mm rail
Tamper sealing	Meter housing (by means of a tamper evident seal). Sealable terminal covers.
Housing material	Self-extinguishing polycarbonate (UL94 V-0)
Protection degree (IEC/EN60529)	IP20 (terminals), IP54 (front of housing)
Weight	<210g
<b>Termination</b>	
Current input terminal type	2 x RJ45
Max. wire size	N/A
Voltage input terminal type	Pluggable terminal block - Screw clamp type
Max. wire size	2.5mm <sup>2</sup>
Voltage output terminal type	Pluggable terminal block - Screw clamp type
Max. wire size	2.5mm <sup>2</sup>
Communication output (RS485 and Pulse)	Pluggable terminal block - Screw clamp type
Max. wire size	1.5mm <sup>2</sup>

## Conformity

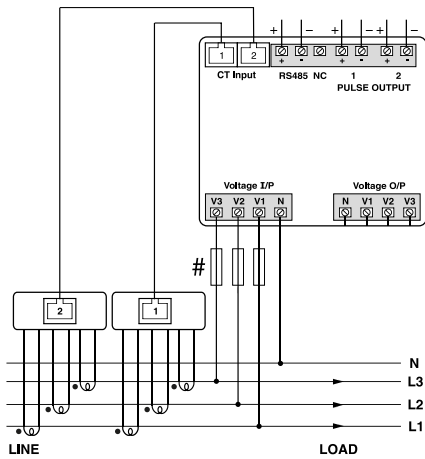
Electromagnetic compatibility	IEC/EN61326-1, IEC/EN55011 Class A, IEC/EN61000-4-2, -3, -4, -5, -6, -8, -11 IEC/EN50470-1/3
Accuracy and functionality	IEC/EN50470-1/3, IEC/EN62053-21, IEC/EN62053-23, DIRECTIVE 2014/32/EU, IEC/EN62053-31
Safety	IEC/EN61010

## Wiring Diagrams

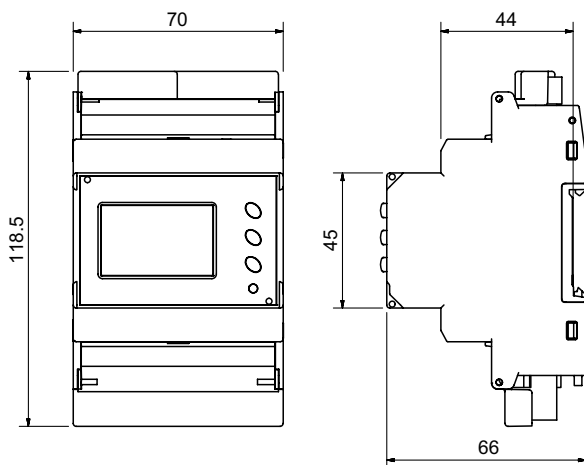
**Note:** # All fuse types : Class CC UL type fast acting 600V

Max. 3A (Actual rating is dependent on the number of meters connected to the voltage supply and must be determined during system design).

### 3 Phase 4 Wire - 2 CT



## Dimensions



## Model Selection Table

Communications	Model
Split Load Input with RS485 Modbus Output and Two Pulse Outputs (1 per circuit)	RI-D360-G-C