

RI-D321SPLIT



easywire® 3x Single-Phase to Three-Phase Adaptor

- Connect 3 single-phase current transformers to a three-phase **easywire®** meter

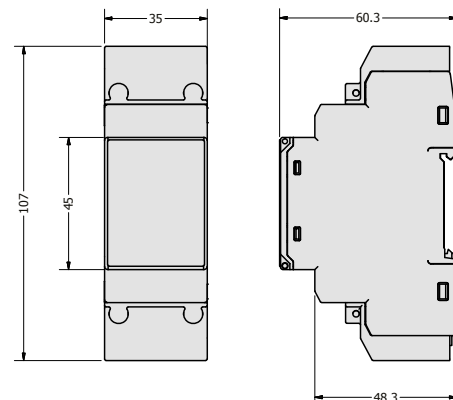
Product Description

The **RI-D321SPLIT** is a RJ485 **easywire®** splitter to enable 3x single-phase **easywire®** current transformers to monitor a 3 phase installation.

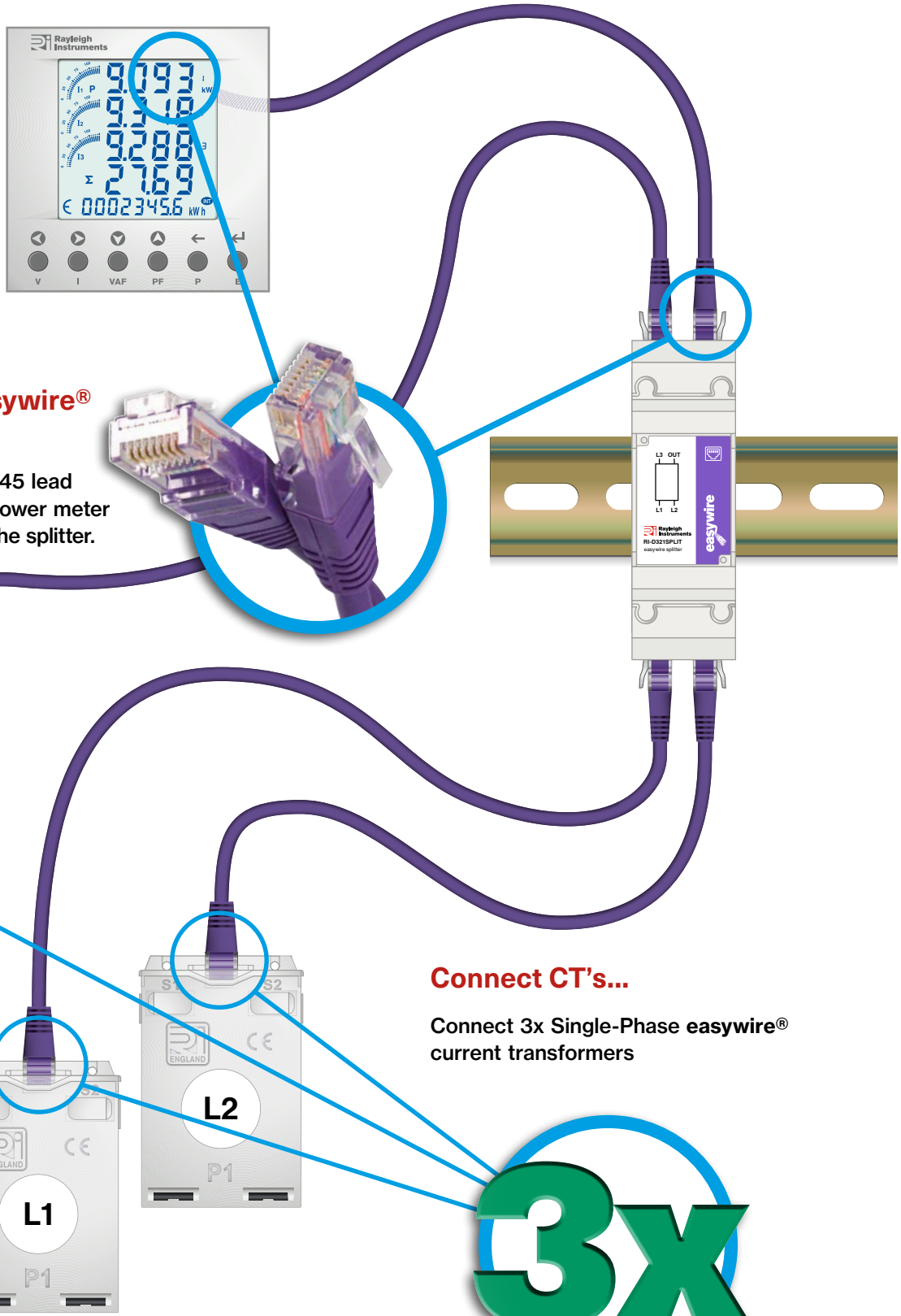
Technical Specification

Housing	2 module DIN 43880
Mounting	Snap-on 35mm rail
Tamper sealing	Device housing (by means of a tamper evident seal) and front flap by seals
Housing material	Self-extinguishing polycarbonate (UL94 V-0)
Protection degree (IEC/EN60529)	IP20 (terminals), IP54 (front of housing)
Weight	<217g

Dimensions (mm)



Connection to 3x Single-Phase Solid Core easywire® current transformers...



Connect your easywire® power meter...

Plug one end of the RJ45 lead into the multifunction power meter and the other end into the splitter.

Connect CT's...

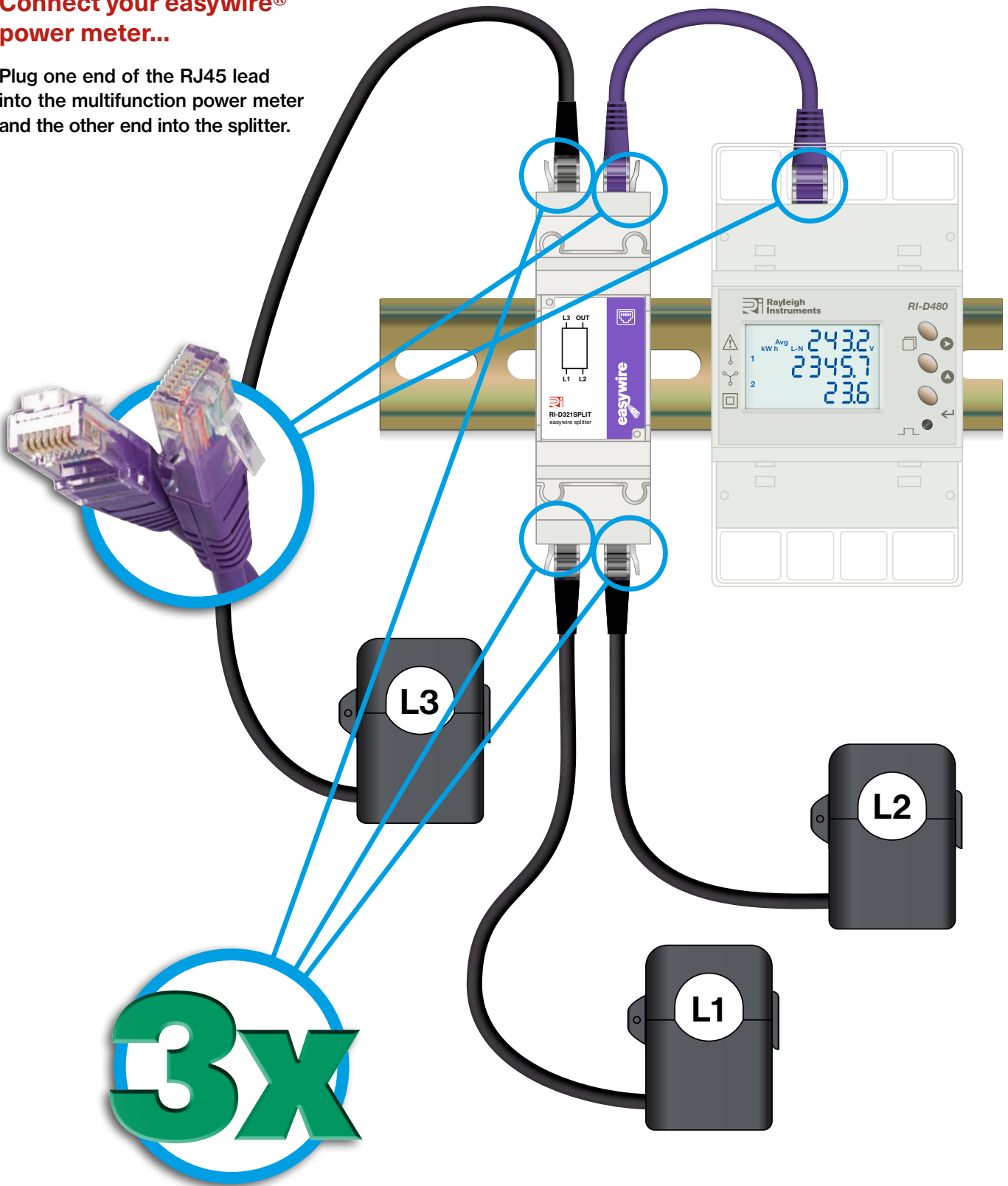
Connect 3x Single-Phase easywire® current transformers

3x

Connection to 3x Single-Phase Split-Core easywire® current transformers...

Connect your easywire® power meter...

Plug one end of the RJ45 lead into the multifunction power meter and the other end into the splitter.



Connect CT's...

Connect 3x Single-Phase easywire® Split-Core current transformers

Model Selection Table

Variants	Model
easywire® splitter	RI-D321SPLIT