

RI-CTS024-EW Series



easywire® Single Phase Mini Split-Core Current Transformers

- Patented technology
- From 100A to 300A Primary currents
- RJ45 connector output
- 330mV **easywire®** Secondary output
- 24mm cable aperture and 50mm width
- Integral 1 metre cable
- Snap together housing
- Compact design
- Indication of primary current flow (arrow on case body)

Ø 24mm

Product Description

The RI-CTS024-EW Series is part of the **easywire®** family of current transformers and forms part of a large family of split-core single-phase moulded case current transformers from Rayleigh Instruments.

The **easywire®** system has been designed to save up to 90% installation time compared to a standard current transformer to meter installation.

These transformers are suitable for monitoring current flow in domestic, commercial, industrial or utility applications and are designed to connect to the **easywire®** series of metering products.

RI-CTS024-EW Series current transformers have been designed for ease of installation into existing set-ups where removal of existing cable is impractical. They also have clear markings moulded into the case to indicate the correct direction of primary current flow to minimise installation errors.

Built-in limiting circuitry ensures the secondary of the current transformer is always under load and clamped to a safe level. This means that the output connection may be safely disconnected while under load.

Parameters

Primary Current A	Burden			Order Code
	Class 0.5 VA	Class 1 VA	Class 3 VA	
100	-	1.5	-	0100
160	-	1.5	-	0160
200	-	1.5	-	0200
250	-	1.5	-	0250
300	-	1.5	-	0300

Available with 330mV Secondary output

Accessories

A splitter box is available to enable these current transformers to be used in three-phase applications



Rated Standard

Rated Primary Current (I_{pr})	100...300A
Frequency Range (f_R)	47...63Hz
Rated continuous over current (I_{cth})	1.2 x rated current
Rated short time thermal current (I_{th})	$\leq 60 \times I_{pr}$
Rated dynamic current (I_{dyn})	2.5 I_{th}
Instrument security factor (FS)	≤ 5
Rated Secondary output	easywire ® 330mV
Accuracy class	Class 1 to IEC/EN61869-2, IEC/EN60044-8

Insulation

Insulation type	Dry transformer, air insulation
Highest voltage (U_m)	0.72kV r.m.s.
Rated insulation level	3kV r.m.s. 50Hz/1 min

Environmental Conditions

Reference temperature	23°C $\pm 1^\circ\text{C}$
Nominal temperature range	-5°C...40°C
Limit temperature range for storage	-40°C...85°C
Relative humidity	$\leq 85\%$ non condensing
Altitude	≤ 1000 meters

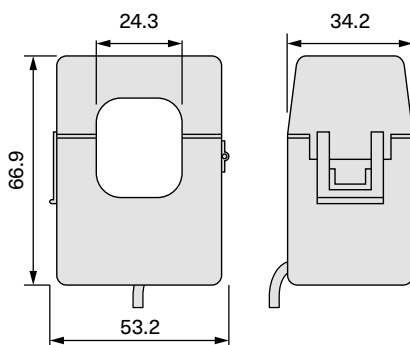
Housing

Housing material	Fire resistant UL94-V0
Protection degree (IEC/EN60529)	IP40 housing, Terminals IP20
Mounting	Snap together housing
Weight	$\geq 300\text{g}$

Connections

Primary winding	Passing cable
Secondary winding	Integral 1 metre cable (other cable lengths available on request - see table below)
Secondary Connections	Red - S1 (K) / Black - S2 (L)

Dimensions (mm)



Information Required with Order

Build your order number - example	RI-CTS024-EW /330 /0300 G 01
Model	
Secondary Current - 330mV	
Primary Current Range - See Parameters Table 'Order Code'	
Housing Colour : G = Grey	
Cable Length : 01 = 1 meter (standard). 03 = 3, 07 = 7 and 10 = 10 meter (to order only).	