

RI-A5RS232 Module



RS232 Modbus-RTU Module for RI-F500 Series

- Extends the capability of the RI-F500 Series Multifunction Network Analysers
- Automatically recognised by RI-F500 Series

Product Description

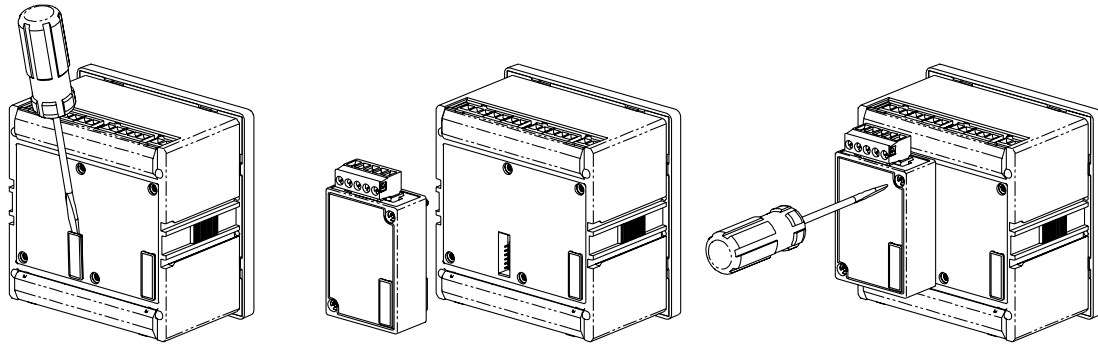
The RI-A5RS232 is a Modbus-RTU communication module used to extend the function of the RI-F500 Series Network Analysers.

Safety Instruction

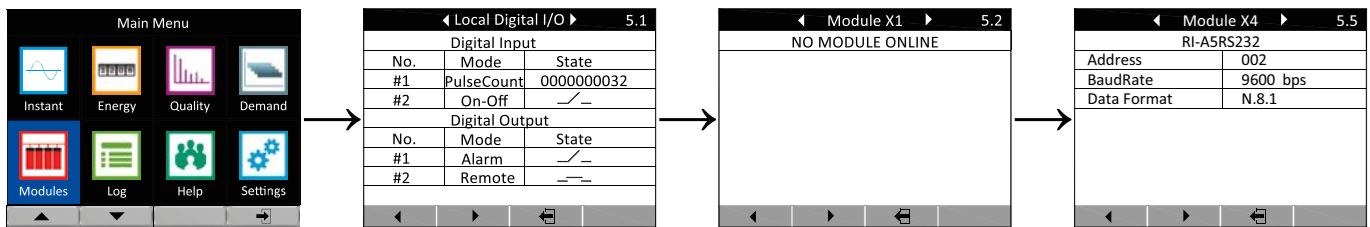
Please read this user information carefully before using this module.
This module must be installed and serviced by professional personnel.
The installer is responsible for compliance with these instructions.

Installation and Operation

Disconnect the power supply of RI-F500/RI-F550, and then connect the RI-A5RS232 module to slot X4 (take slot X4 as example).

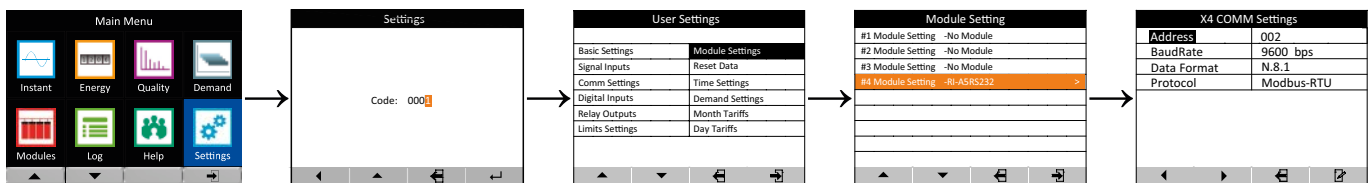


Connect the RI-F500/RI-F550 to the power supply, and then enter the module interface of the RI-F500/RI-F550 to check the information of slot X4. If the connection between the meter and the module is correct, the parameters of RI-A5RS232 will be shown as the diagram below.



Module configuration through the panel of RI-F550

Set the parameters of the RI-A5RS232 communication interface via the keys on the RI-F550 (see below).



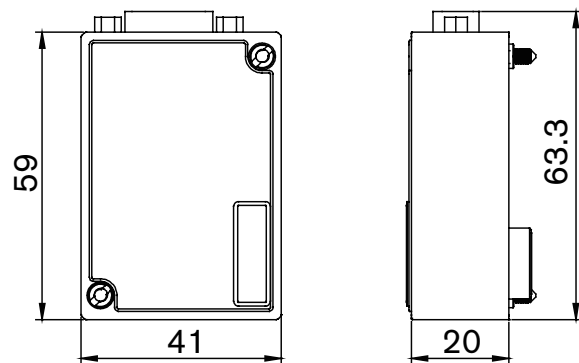
Technical Parameters

Communication Interface	RS232
Communication protocol	Modbus-RTU
Baud rate	≤ 9600bps

Environmental Conditions

Operating temperature	-25°C...+85°C
Storage temperature	-40°C...+85°C
Relative humidity	0...95%, non-condensing

Dimensions



Model Selection Table

Description	Model
RS232 (Modbus-RTU) communication module	RI-A5RS232