

## RI-A5PT100 Module



### 2 x Analogue Input (PT100) Module for RI-F500 Series

- Extends the capability of the RI-F500 Series Multifunction Network Analysers
- Automatically recognised by RI-F500 Series

#### Product Description

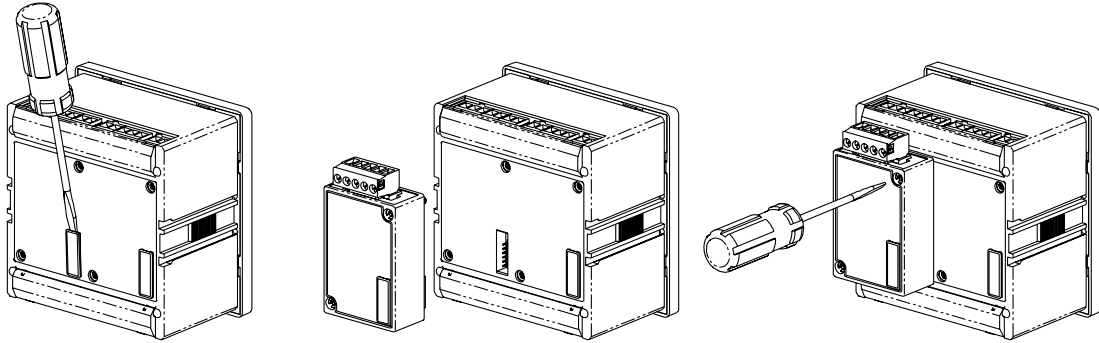
The RI-A5PT100 is a 2x Analogue inputs module (PT100) used to extend the function of the RI-F500 Series Network Analysers.

#### Safety Instruction

Please read this user information carefully before using this module.  
This module must be installed and serviced by professional personnel.  
The installer is responsible for compliance with these instructions.

## Installation and Operation

Disconnect the power supply of RI-F500/RI-F550, and then connect the RI-A5PT100 module to slot X2 (take slot X2 as example).



Connect the RI-F500/RI-F550 to the power supply, and then enter the module interface of the RI-F500/RI-F550 to check the information of slot X2. If the connection between the meter and the module is correct, the parameters of RI-A5PT100 will be shown.

## Display

The diagram below shows the PT100 input values:-

**No. 01** input temperature is 75.5°C

**No. 02** input temperature is 27.6°C

Module X1		5.2
RI-A5PT100 (2 PT100)		
No.	Value	
01	075.5 °C	
02	027.6 °C	

## Technical Parameters

Measurement channels	2
Update time	1s
Input type	PT100 (-200...600°C)
Temperature accuracy	±1°C

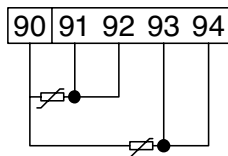
## Environmental Conditions

Operating temperature	-25°C...+75°C
Storage temperature	-40°C...+85°C
Relative humidity	0...95%, non-condensing

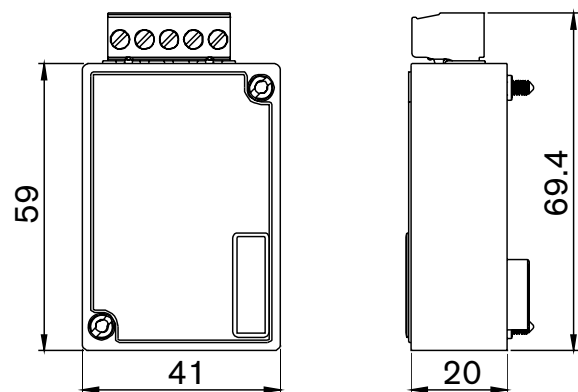
## Setting

The RI-F500 Series multifunction network analysers will automatically identify installed modules.

## Wiring Diagram



## Dimensions



## Model Selection Table

Communications	Model
Two Analogue Inputs module (PT100)	RI-A5PT100