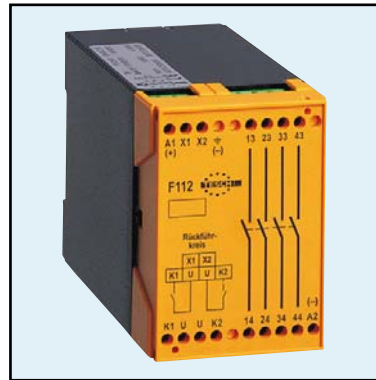


FEATURES

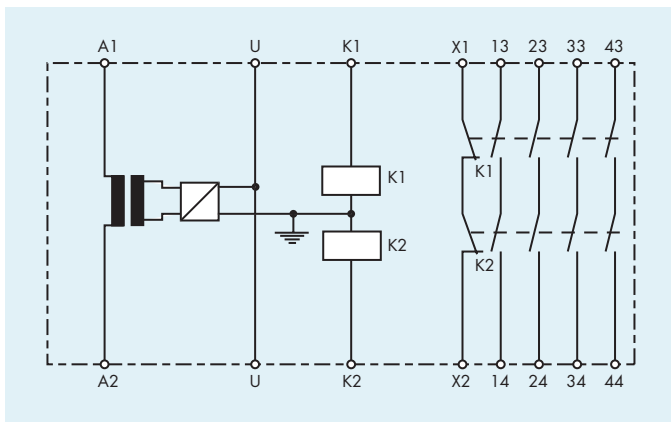
- Category 3 or 4
- Contacts 4 N/O
- AC or 24V UC auxiliary supply options



Model F112



TERMINAL LAYOUT

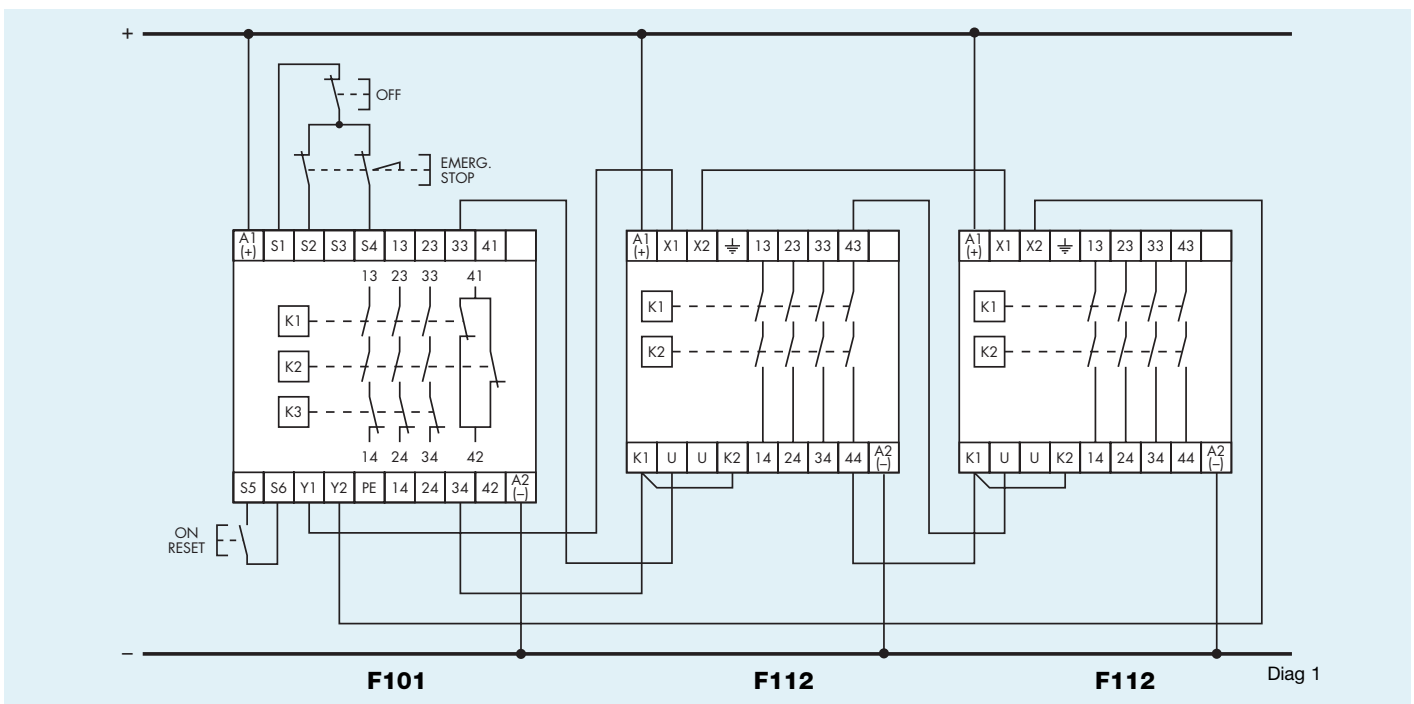


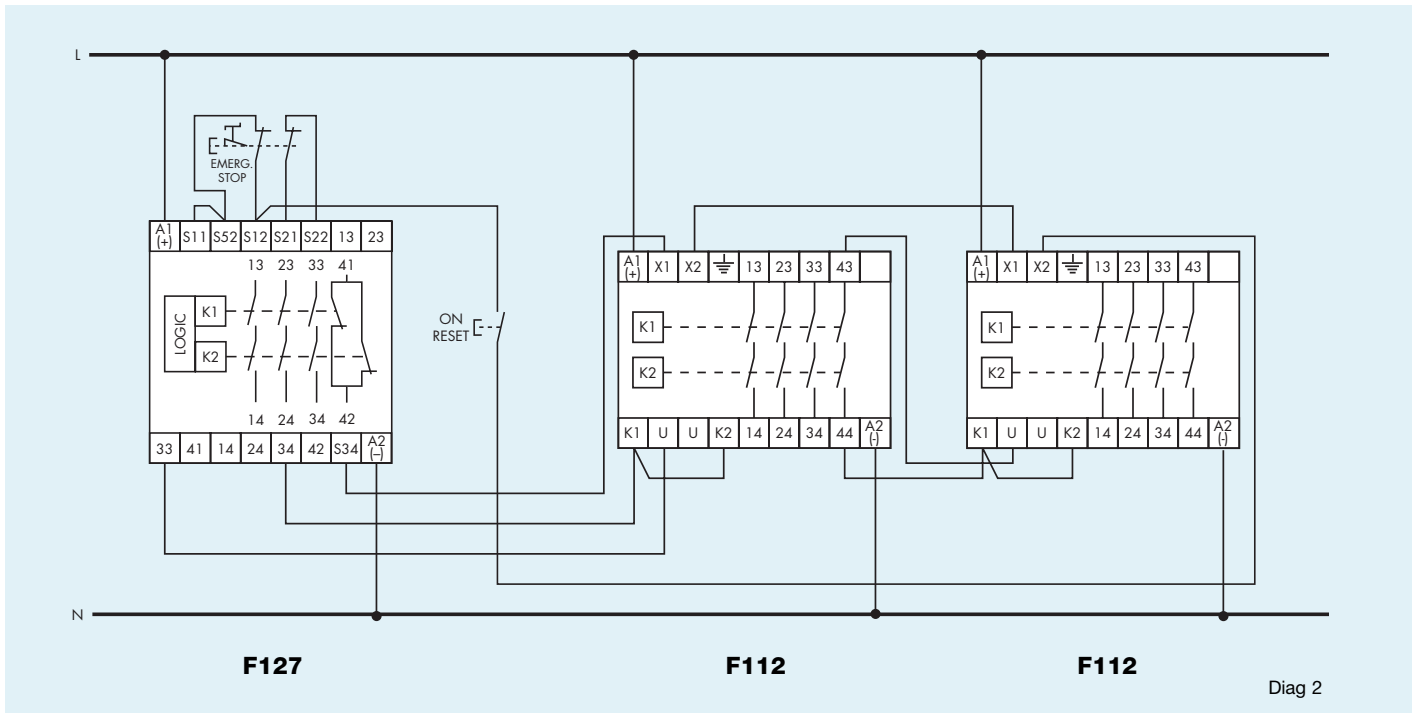
DESCRIPTION

Extension Module F112 may be used in conjunction with Emergency Stop Relays or Gate Monitors to provide additional redundant switching contacts. One or more modules may be connected together. F112 is housed in a 55mm wide case suitable for DIN rail mounting and complies with the requirements of EN60204-1 and EN954-1.

CIRCUIT CONNECTIONS

The schematic diagrams show the composite arrangement of an Emergency Stop relay powering two extension modules.

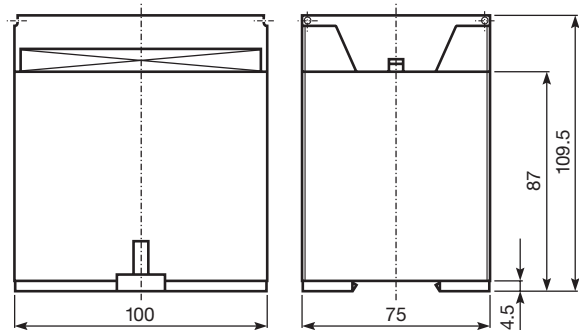




SPECIFICATIONS

- Nominal Voltage 42, 115, 230V ac or 24V dc/ac
- Voltage Tolerance 0.8-1.1Vn
- Frequency 50 to 60Hz ± 5%
- Coil Burden ≤4VA
- Contacts 4 N/O
- Max Switching Capacity 6.8A ac, 6A dc, see page 208
- Continuous Current Rating See page 208
- Contact Life Mechanical 10⁷ operations
- Contact Life Electrical See page 208
- Derated Capacity AC15, 5A 250V ac
- (for Heavy Inductive Loads) DC13, 3A 24V dc
- Min Switching Voltage & Current 10V, 10mA ac/dc
- Max Switching Voltage 250V ac, 300V dc
- Max Switching Power 1500VA (AC1), 150W dc
- Max Switching Frequency 6000 operations/hour
- Max Loop Resistance 200Ω
- Reaction Times Reset 30ms
ESTOP < 30ms
- Operating Temperature -10°C...+55°C at 90% RH
- Protection Class Case IP40 Terminals IP20
- Test Voltage 2.5KV 1 minute
- Shock Loading Amplitude 3.5mm
Frequency 10 – 55Hz
(5g @ 50Hz)
- Enclosure Material Thermoplastic VO rating UL94
- Terminations 4mm² solid
2.5mm² stranded

DIMENSIONS



PART NUMBERS

DESCRIPTION	VOLTAGE	ARTICLE NO	MODEL
Extension Module	230V ac	07400016	F112x01
	115V ac	07400017	F112x02
	24V ac/dc	07400019	F112x04

Information Required With Order

- Model type • Auxiliary supply • Article number
- Example: Emergency Stop Relay Type F112x04
 Auxiliary Supply 24V ac/dc, Article No. 07400019