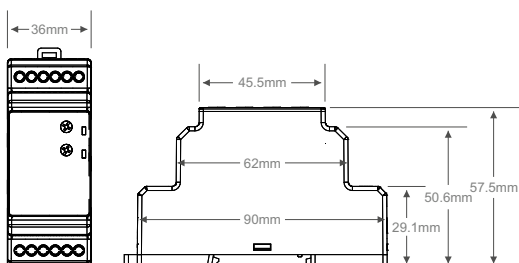


type	order no
RI-TVV0010	600 151
RI-TVV0040	600 153
RI-TVV0020L	600 155
RI-TVV0030	600 156




technical specifications

Supply voltage (U_N)	RI-TVV0010 : 85 .. 265V AC/DC RI-TVV0040 : 10 .. 36V DC RI-TVV0030 : 10 .. 36V DC RI-TVV0020L : 9 .. 30V DC
Power consumption	< 1.5 W < 4 VA
Response time	< 350 ms
Measurement error	< %0.2 (full scale, 25°C)
Temperature coefficient	< 150 ppm/°C
Load	≤ 600Ω (current output) ≥ 10kΩ (voltage output)
Input signal range (configurable)	0 .. 24 V AC 0 .. 36 V AC 0 .. 54 V AC 0 .. 80 V AC 0 .. 120 V AC 0 .. 170 V AC 0 .. 250 V AC 0 .. 400 V AC 0 .. 450 V AC 0 .. 500 V AC
RI-TVV0010, RI-TVV0040, RI-TVV0020L	
Input signal range (configurable)	0 .. 24 V AC 0 .. 54 V AC 0 .. 120 V AC 0 .. 250 V AC 0 .. 450 V AC
RI-TVV0030	0 .. 24 V DC 0 .. 54 V DC 0 .. 120 V DC 0 .. 250 V DC 0 .. 450 V DC
Input signal frequency	40 .. 70 Hz
Analog output signal (configurable)	0 .. 20 mA 4 .. 20 mA ±20 mA 20 .. 0 mA 20 .. 4 mA 0 .. 5 V 0 .. 10 V ±5 V ±10 V 10 .. 0 V
RI-TVV0010, RI-TVV0040, RI-TVV0030	
Analog output signal (RI-TVV0020L)	4 .. 20 mA
Maximum analog output current	24mA
Maximum analog output voltage	12V
Operating temperature	-20°C .. 60°C
Isolation	1.5 kVrms
IP class	IP20
Connection	Screw terminals
Mounting type	Rail mounted

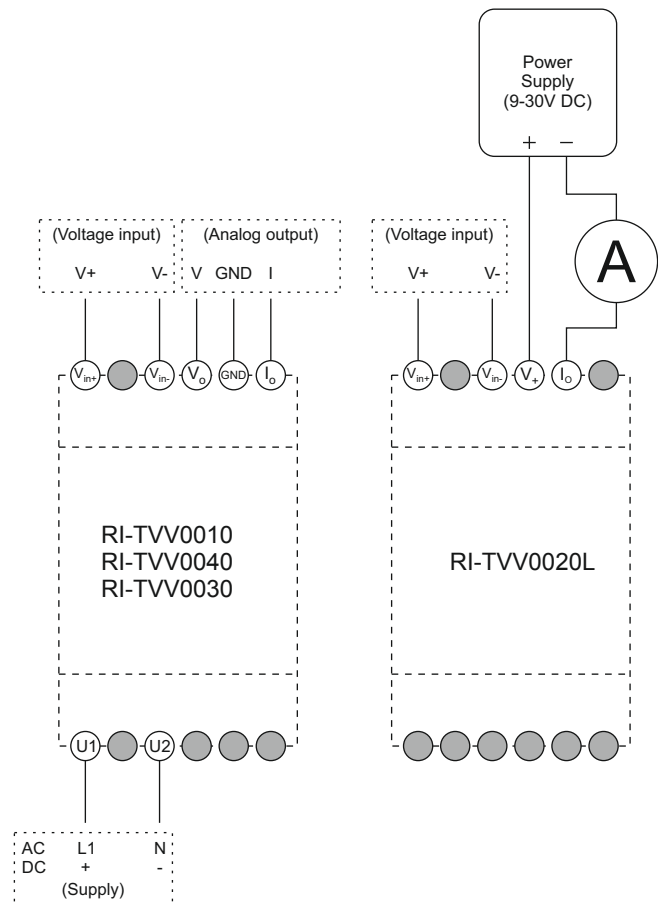
dimensions



failure indication

Failure Status	LED Indication
voltage output mode: short circuit	Err: 
current output mode: open circuit	Err: 
no signal	ON: 

connections



isolation diagram

