

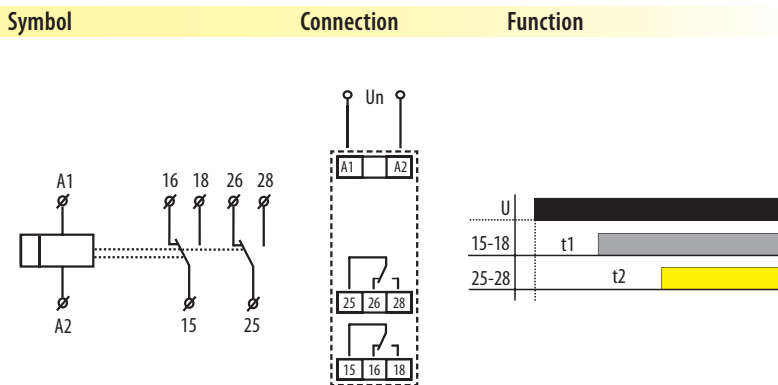
# Doublestage delay unit SJR-2



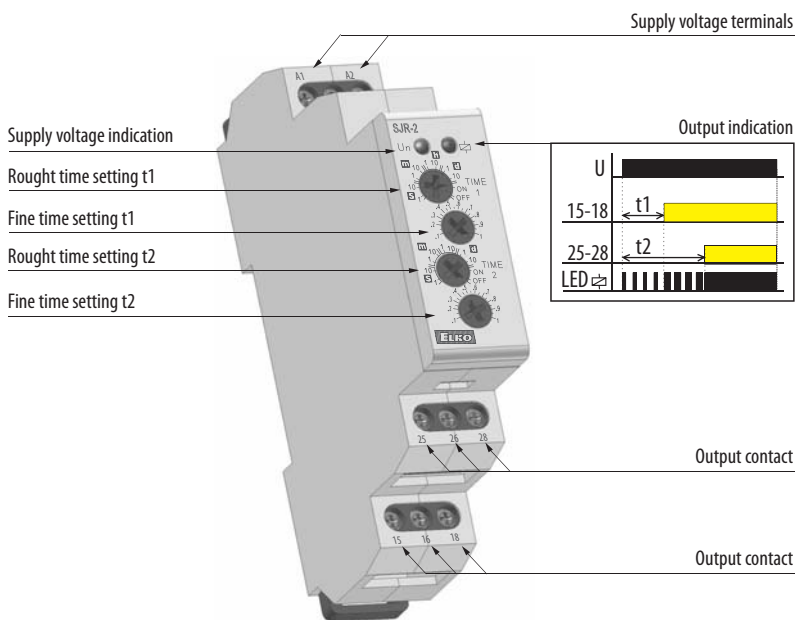
EAN code  
 SJR-2 /230V: 8595188116015  
 SJR-2 /UNI: 8595188117401

- For gradual switching of high power (e.g. el.heating), prevents current strokes in the main
- Function: 2x Delay ON (2 time relays in one)
- Time scale 0.1s - 10 days divided into 10 time ranges:  
 0.1s - 1s / 1s - 10s / 0.1min - 1min / 1min - 10min / 0.1h - 1h / 1h - 10hrs / 0.1 day - 1 day / 1 day - 10 days / ON / OFF
- Times t1 and t2 are independantly adjustable
- t1 and t2 are switched on after supply voltage connection
- Rough time setting via rotary switch
- Voltage range: AC 230 V or AC/DC 12 - 240 V
- Output contact: 2 x changeover /DPDT 16 A
- Output indication: multifunction red LED, flashing at certain states
- 1-MODULE, DIN rail mounting

Technical parameters	SJR-2
Number of functions:	2x delay ON
Supply terminals:	A1 - A2
Voltage range:	UNI AC/DC 12 - 240 V (AC 50 - 60 Hz)
Burden:	AC 0.7 - 3 VA / DC 0.5 - 1.7 W
Voltage range:	230 AC 230 V / 50 - 60 Hz
Power input (apparent/loss):	AC max. 12 VA / 1.3 W
Supply voltage tolerance:	-15 %; +10 %
Supply indication:	green LED
Time ranges:	0.1 s - 10 days
Time setting:	rotaty switch and potentiometer
Time deviation:	5 % - mechanical setting
Repeat accuracy:	0.2 % - set value stability
Temperature coefficient:	0.01 % / °C, at = 20 °C (0.01 % / °F, at = 68 °F)
<b>Output</b>	
Number of contacts:	2x changeover / DPDT (AgNi / Silver Alloy)
Current rating:	16 A / AC1
Breaking capacity:	4000 VA / AC1, 384 W / DC
Inrush current:	30 A / <3 s
Switching voltage:	250 V AC1 / 24 V DC
Min. breaking capacity DC:	500 mW
Output indication:	multifunction red LED
Mechanical life:	3x10 <sup>7</sup>
Electrical life (AC1):	0.7x10 <sup>6</sup>
Reset time:	max. 150 ms
<b>Other information</b>	
Operating temperature:	-20 °C to +55 °C (-4 °F to 131 °F)
Storage temperature:	-30 °C to +70 °C (-22 °F to 158 °F)
Electrical strength:	4 kV (supply-output)
Operating position:	any
Mounting/DIN rail:	DIN rail EN 60715
Protection degree:	IP 40 from front panel / IP 20 terminals
Overtoltage category:	III.
Pollution degree:	2
Max. cable size (mm <sup>2</sup> ):	solid wire max. 1x 2.5 or 2x1.5/ with sleeve max. 1x2.5 (AWG 12)
Dimensions:	90 x 17.6 x 64 mm (3.5" x 0.7" x 2.5") (3.5" x 0.7" x 2.5")
Weight:	UNI - 88 g (3.1 oz.), 230 - 83 g (2.9 oz.)
Standards:	EN 61812-1, EN 61010-1



## Description



## Time ranges

