



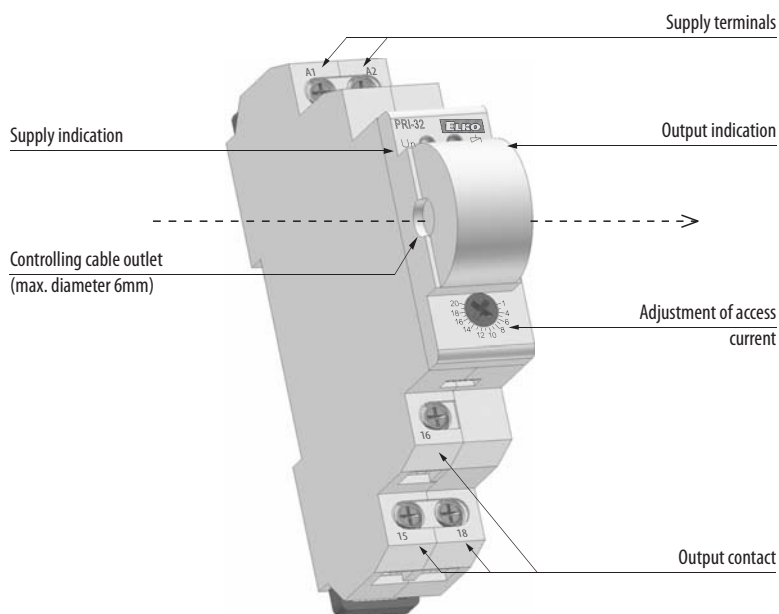
- Current transformer is a part of the product. Inside this transformer there is a wire which senses the volume of flowing current
- This construction reduces thermal stress of product when compared with conventional solutions with inbuilt shunt, and increases current range up to 20 Amps, and galvanically separates monitored circuit
- For heating bars in sliding rails, heating cables, indication of current flow, controlling of 1-phase motor consumption ...
- Universal supply AC 24 - 240 V and DC 24 V
- Supply is galvanically separated from measuring current
- Current exceeding – current flowing through monitored wire must not exceed 100 A
- Output contact: 1x changeover/SPDT 8 A
- Clamp terminals
- 1-phase, 1-MODULE, DIN rail mounting

EAN code

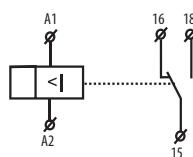
PRI-32: 8595188121965

Technical parameters	PRI-32
Supply circuit	
Supply terminals:	A1 - A2
Voltage range:	AC 24 - 240 V, DC 24 V (AC 50 - 60 Hz)
Burden:	max. 1.5 VA
Operating range:	-15 %; +10 %
Measuring circuit	
Current range:	1 - 20 A (AC 50 Hz)
Current adjustment:	potentiometer
Accuracy	
Setting accuracy (mechanical):	5 %
Repeat accuracy:	<1 %
Temperature dependency:	<0.1 % / °C
Limit values tolerance:	5%
Overload capacity:	max. 100 A / 10 s
Output	
Number of contacts:	1x changeover/ SPDT (AgNi / Silver Alloy)
Current rating:	8 A / AC1
Breaking capacity:	2500 VA / AC1, 240 W / DC
Output indication:	red LED
Other information	
Operating temperature:	-20 °C to +55 °C (-4 °F to 131 °F)
Storage temperature:	-30 °C to +70 °C (-22 °F to 158 °F)
Electrical strength:	4 kV (supply - output)
Operating position:	any
Mounting:	DIN rail EN 60715
Protection degree:	IP 40 from front panel / IP 10 terminals
Overvoltage category:	III.
Pollution degree:	2
Max. cable size (mm ²):	solid wire max. 2x2.5 or 1x4, with sleeve max. 1x2.5 or 2x1.5 (AWG 12)
Dimensions:	90 x 17.6 x 64 mm (3.5" x 0.7" x 2.5")
Weight:	68 g (2.4 oz.)
Standards:	EN 60255-6, EN 61010-1

Description



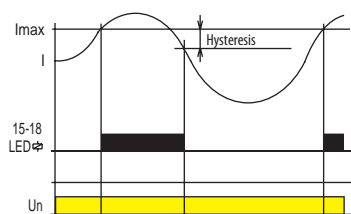
Symbol



Connection



Function



Monitoring relay PRI-32 serves to monitor current level in single phase AC circuits. Due to its fluent adjustment of release current, it is predestined for applications with necessity of current flow indication, and can be used as precedence relay. Output relay is off in normal state. In case the set current level is exceeded, it switches. Multivoltage supply is an advantage.