

DBP58/3

Multi-tap Split Core Measuring Current Transformers (provisional data)

Description

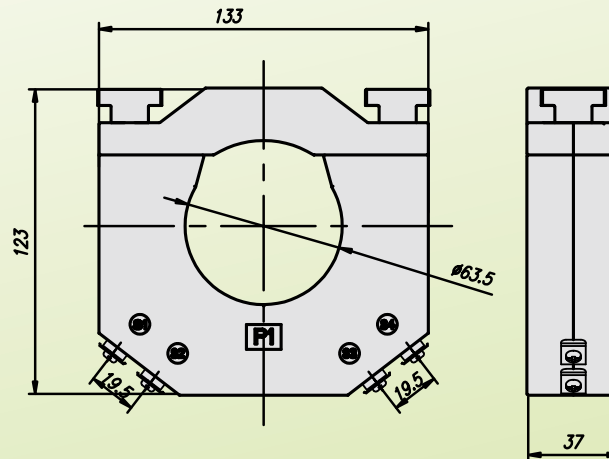
A range of split core transformers designed for installation into existing plants where removal of busbars/cable lugs prevent installation of standard current transformers.

To measure a.c primary currents and produce a proportional secondary current signal.



- 63mm dia cable aperture
- Housing Material Self extinguishing Nylon IEC185 classification VO according to UL-94
- Weight : 0.95Kg

Dimensions



Current Transformer Ratios

CT Ratio	Connections
A	Terminals
200/5A	S2 + S3
400/5A	S2 + S4
600/5A	S1 + S2
800/5A	S1 + S3
1000/5A	S1 + S4

Class 1, 5A Secondary

How to Order / Model Reference

eg **DBP58/3 /5A**

Model	DBP58/3
Output	5A
-/5A Secondary	